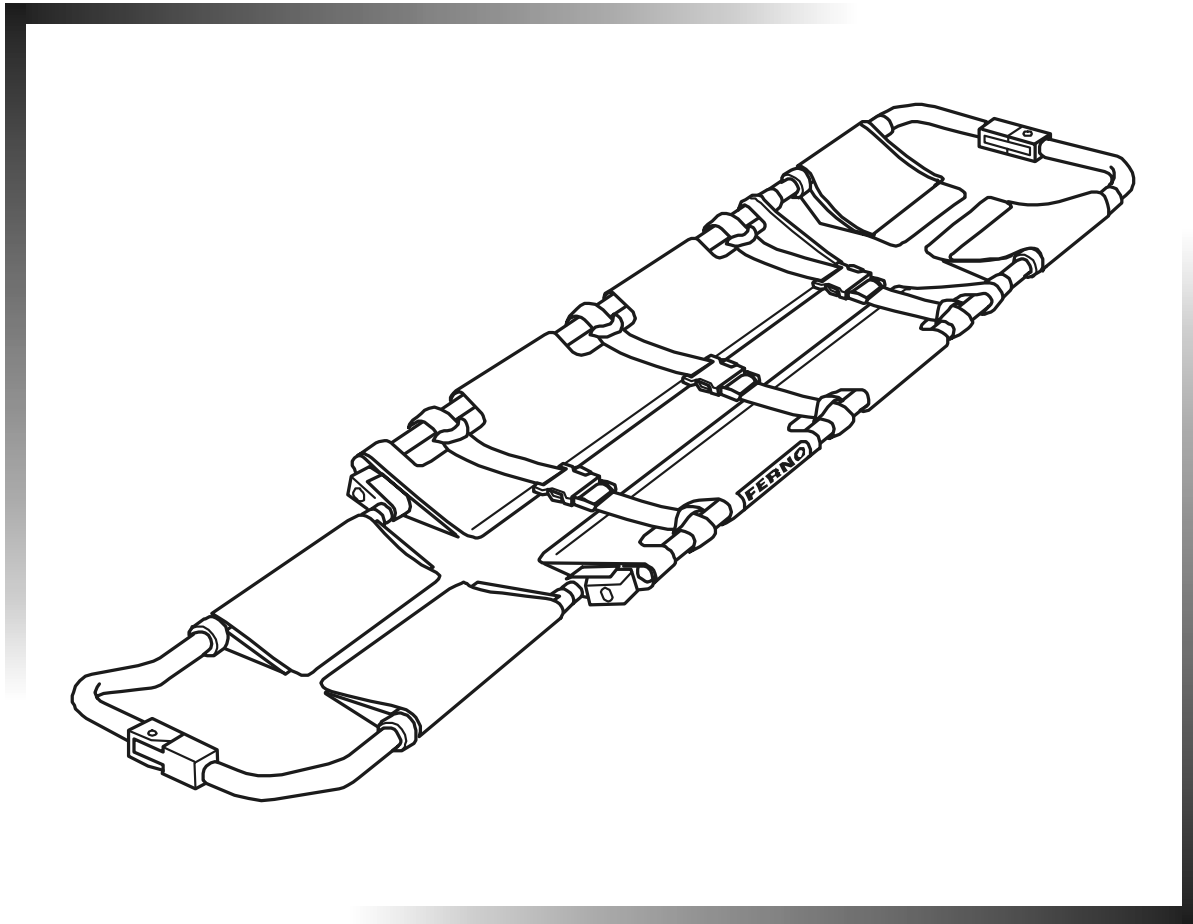




# ***FERNO***

When it's critical.™

***Users' Manual***



## **Model 65 and Model 65-Pin Scoop™ Stretcher**

*December 1999 DOM*

*Pub. No. 234-0099-10*

**Disclaimer**

This manual contains general instructions for the use, operation and care of this product. The instructions are not all-inclusive. Safe and proper use of this product is solely at the discretion of the user. Safety information is included as a service to the user. All other safety measures taken by the user should be within and under consideration of applicable regulations. It is recommended that training on the proper use of this product be provided before using this product in an actual situation.

Retain this manual for future reference. Include it with the product in the event of transfer to new users. Additional free copies are available upon request from Customer Service.

**Proprietary Notice**

The information disclosed in this manual is the property of Ferno-Washington, Inc., Wilmington, Ohio, USA. Ferno-Washington, Inc., reserves all patent rights, proprietary design rights, manufacturing rights, reproduction use rights, and sales use rights thereto, and to any article disclosed therein except to the extent those rights are expressly granted to others or where not applicable to vendor proprietary parts.



**EUROPEAN REPRESENTATIVE**

Ferno (UK) Limited, Stubs Beck Lane, Cleckheaton  
West Yorkshire BD19 4TZ, United Kingdom

Telephone	+44 (0) 1274 851999
Fax	+44 (0) 1274 851111
Internet	<a href="http://www.ferno.co.uk">www.ferno.co.uk</a>

234-3468-00

Ferno-Washington, Inc.  
70 Weil Way  
Wilmington, OH 45177-9371 U.S.A.  
Telephone: 800.733.3766  
Fax: 937.382.1191  
[www.ferno.com](http://www.ferno.com)

## TABLE OF CONTENTS

	Page
Section 1 - Safety Information .....	4
Section 2 - Learning About the Stretcher .....	5
Section 3 - Operator Skills and Training .....	7
Section 4 - Using the Stretcher .....	7
Section 5 - Maintaining the Stretcher .....	11
Section 6 - Stretcher Setup .....	14
Section 7 - Repair Parts and Service .....	16
Section 8 - Accessories and Related Products .....	16
Section 9 - Limited Warranty .....	17
Section 10 - Customer Service .....	17

## Illustrations

Stretcher Components .....	6	Using Additional Help .....	10
Figure 1 - Raising the Lock-Pin Lever .....	8	Figure 7 - Folding the Stretcher .....	11
Figure 2 - Foot Section Positions .....	8	Maintenance Schedule .....	11
Figure 3 - Opening the End Couplings .....	8	Lubrication Diagram .....	13
Figure 4 - Applying the Stretcher Halves .....	8	Figure 8 - Attaching Two-Piece Restraint .....	14
Figure 5 - Carrying the Stretcher .....	9	Figure 9 - Attaching Restraint with Speed Clips ....	15
Figure 6 - Applying Stretcher in "V" Shape .....	9	Figure 10 - Topside Attachment .....	15
		Figure 11 - Underside Attachment .....	15

## SECTION 1 - SAFETY INFORMATION

### 1.1 Warnings

The following warnings appear in this manual or on the stretcher.

#### WARNING

**Improper use of the stretcher can cause injury. Use the stretcher only for the purpose described in this manual.**

**Untrained operators can cause injury or be injured. Permit only trained personnel to operate the stretcher.**

**Improper operation can cause injury. Operate the stretcher only as described in this manual.**

**An unattended patient can be injured. Stay with the patient at all times.**

**An unrestrained patient can fall off the stretcher and be injured. Use restraints to secure the patient on the stretcher.**

**Helpers can cause injury or be injured. Operate and maintain control of the stretcher and direct any helpers.**

#### WARNING

**Improper maintenance can cause injury. Maintain the stretcher only as described in this manual.**

**Improper parts and service can cause injury. Use only Ferno parts and Ferno-approved service on the stretcher.**

**Improper accessories can cause injury. Use only Ferno-approved accessories with the stretcher.**

### 1.2 Important

Boxes like the one below emphasize important information.

#### Important

Steam and water under high pressure penetrate joints, flush away lubricant, and cause corrosion. Do **not** use high-pressure water or steam to clean the stretcher.

## SECTION 2 - LEARNING ABOUT THE STRETCHER

### 2.1 Model 65 and Model 65-Pin Scoop™ Stretcher Description

**The Model 65 Scoop™ Stretcher** (stretcher) is an emergency patient-handling device. It is designed to aid in moving a patient when space is limited or when the patient needs to be moved with little change of body position.

The stretcher is for professional use by a minimum of two trained operators.

The stretcher frame is constructed in two halves which uncouple, slide under the patient, then recouple for lifting the patient. The stretcher may also be used in a "V" shape when uncoupled at only the foot end.

Other features include a telescoping foot section with three locking positions for length adjustment, three handholds on each side of the main frame, and concealed hinges which allow the stretcher to fold for storage.

The Model 65 stretcher is equipped with a set of three patient restraints.

**The Model 65-Pin Scoop™ Stretcher** includes all the features of the Model 65, plus stainless steel speed clip pins for use with patient restraints equipped with speed clips.

The Model 65-Pin stretcher is equipped with a set of three two-piece restraints with speed clips.

### 2.2 General Specifications for Model 65 and Model 65-Pin

**Length**  
 Maximum ..... 79 in  
 Minimum ..... 65 in  
 Folded ..... 47 in

**Width**  
 Open ..... 17 in  
 Closed ..... 17 in

**Depth**  
 Open ..... 3 in  
 Folded ..... 4 in

**Weight** ..... 16 lb

**Maximum Load Limit** ..... 350 lb

The specifications are rounded to the nearest whole number. For detailed specifications, contact Ferno Customer Service (page 17). Ferno reserves the right to change specifications without notice.



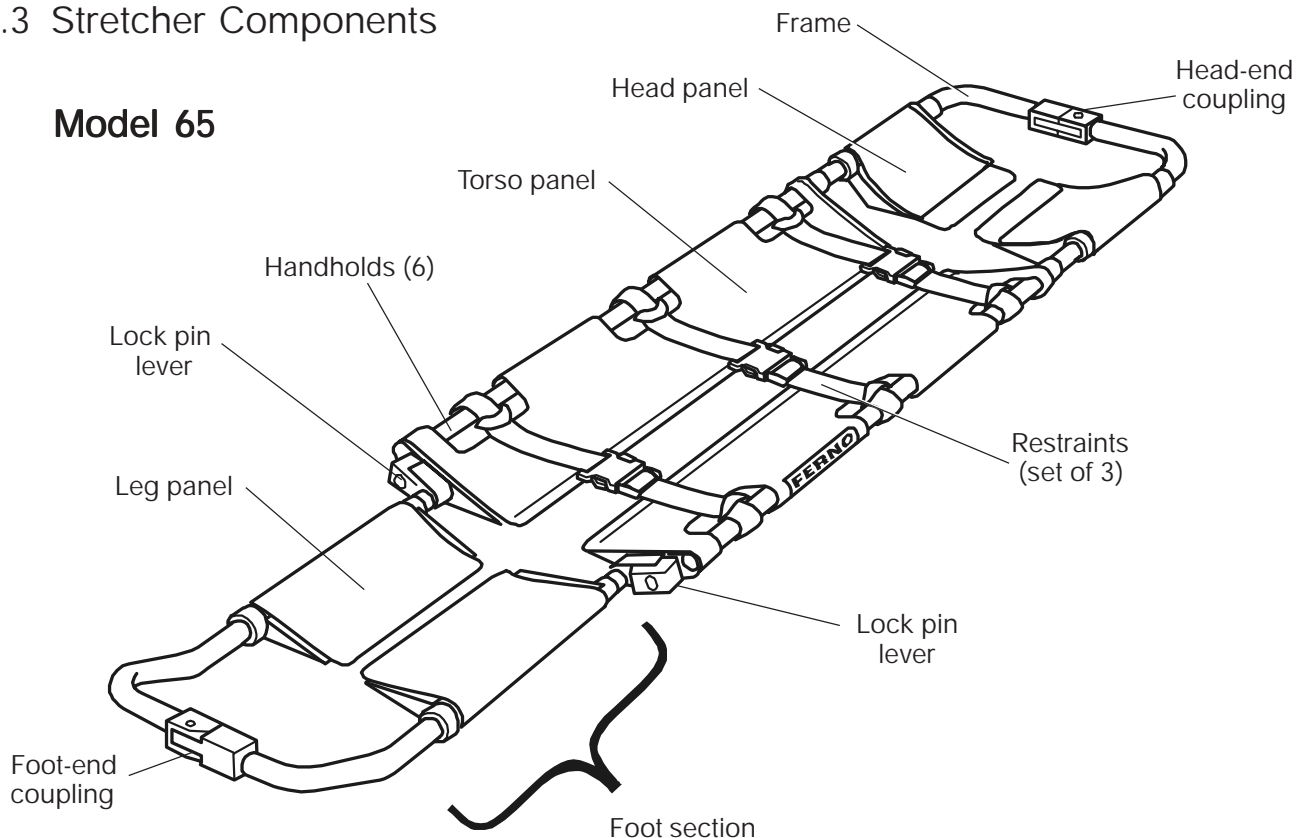
**Maximum Load Limit**

Inspect the stretcher if the load limit has been exceeded.

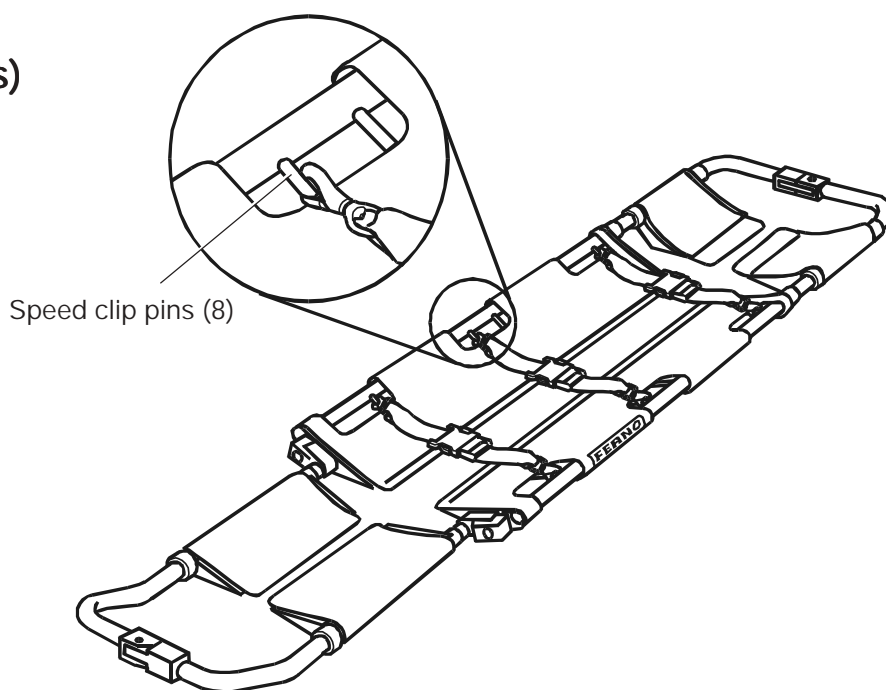
 <b>WARNING</b>
<p><b>Improper use of the stretcher can cause injury. Use the stretcher only for the purpose described in this manual.</b></p>

2.3 Stretcher Components

**Model 65**



**Model 65-Pin  
(with Speed Clip Pins)**



## SECTION 3 - OPERATOR SKILLS AND TRAINING

### 3.1 Skills

Operators using the stretcher need:

- a working knowledge of emergency patient-handling procedures.
- the ability to assist the patient.
- a complete understanding of the procedures described in this manual.

- read this manual.
- practice with the stretcher before using it in regular service.
- be tested on their understanding of the stretcher.
- record their training information. Use the convenient form on page 18.

### 3.2 Training

Trainees need to:

- follow a training program designed by their training officer.

#### WARNING

**Untrained operators can cause injury or be injured. Permit only trained personnel to operate the stretcher.**

## SECTION 4 - USING THE STRETCHER

### 4.1 Before Placing the Stretcher in Service

1. Personnel who will use the stretcher need to read this manual.
2. Set up the stretcher, following instructions in *Stretcher Setup*, page 14.
3. Confirm that the stretcher operates properly. Follow instructions in *Inspecting the Stretcher*, page 12.

4. Stay with the patient at all times.
5. Always use patient restraints.

#### WARNING

**Improper operation can cause injury. Operate the stretcher only as described in this manual.**

### 4.2 General Guidelines for Use

1. Using the stretcher requires a minimum of two trained operators.
2. Operators may need help when working with heavy patients. For information about placement and direction of helpers, see *Using Additional Help*, page 10.
3. Follow standard emergency patient-handling procedures when operating the stretcher.

#### WARNING

**An unattended patient can be injured. Stay with the patient at all times.**

#### WARNING

**An unrestrained patient can fall off the stretcher and be injured. Use restraints to secure the patient on the stretcher.**

### 4.3 Adjusting Stretcher Length

The foot section telescopes to three locking positions for length adjustment. Adjust the length of the stretcher **before** uncoupling the halves. This ensures equal adjustment to both halves.

To determine if length adjustment is needed, position the stretcher beside the patient and align the center of the head panel with the patient's nose. The foot end of the frame should extend a little beyond the bottom of the patient's feet.

To extend the foot section:

1. Raise the lock-pin lever on each side of the frame (Figure 1).

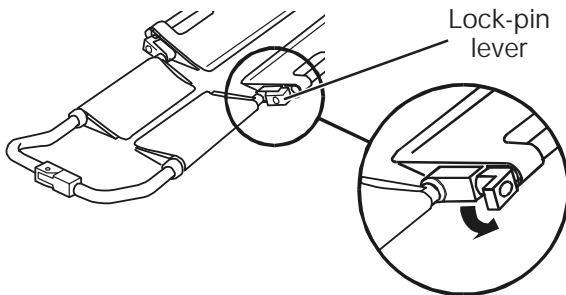


Figure 1 - Raising the Lock-Pin Lever

2. Pull the foot section outward, stopping just past a locking position (Figure 2). Locking positions are located at the holes along the foot-section frame.

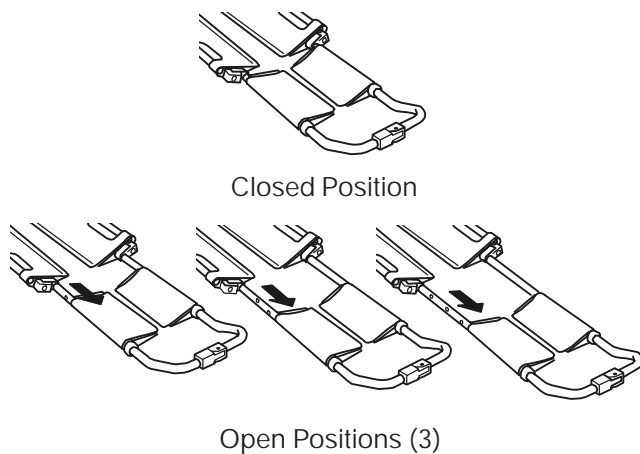


Figure 2 - Foot Section Positions

3. Return both lock-pin levers to the locked position.
4. Slide frame inward until it locks into place.
5. Confirm that both sides are locked.

### 4.4 Applying the Stretcher

Unfold the stretcher if it is folded for storage, and adjust the length (see *Adjusting Stretcher Length*, this page).

1. Unfasten restraints (if stored on stretcher).
2. Separate the stretcher halves by pressing the lock lever of each coupling and pulling the coupling halves away from each other (Figure 3).

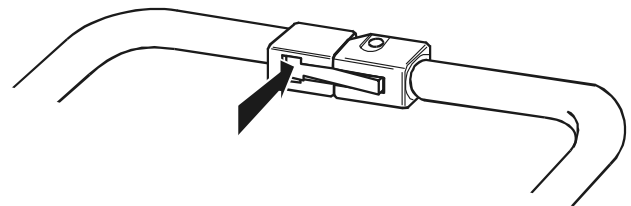


Figure 3 - Opening the End Couplings

3. Position one half of the stretcher on each side of the patient, aligning the center of the head panel with the patient's nose (Figure 4).

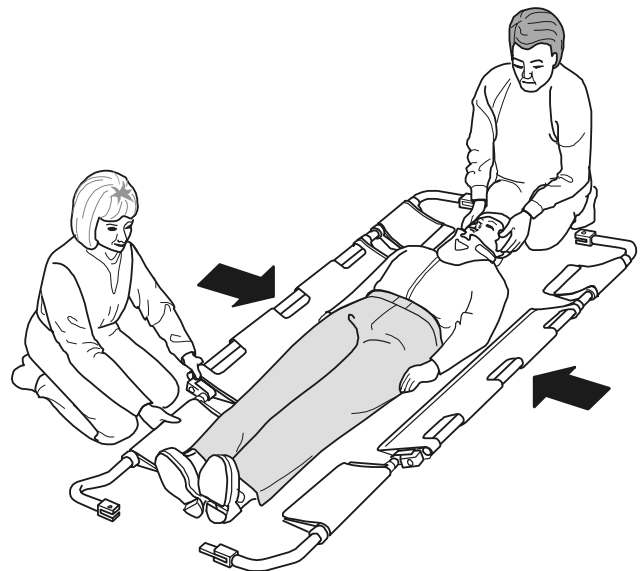


Figure 4 - Applying the Stretcher Halves



- Use locally-approved EMS procedures to carefully work the stretcher halves under the patient until the end couplings meet.

To avoid pinching or pulling the patient's skin, hair, or clothing, use care while working the stretcher halves into place beneath the patient.

- To rejoin the stretcher halves, push the right and left halves of the head and foot couplings together until they lock into place.
- Make sure the couplings are securely fastened. To test, try pulling the coupling halves away from each other without pressing on the lock levers. The couplings should remain securely fastened.
- Buckle and tighten the patient restraints.
- To lift and carry the stretcher with two operators, position yourselves at opposite ends of the stretcher and grasp the main frame (Figure 5). This maintains the stretcher balance. For more than two operators, see *Using Additional Help*, page 10.

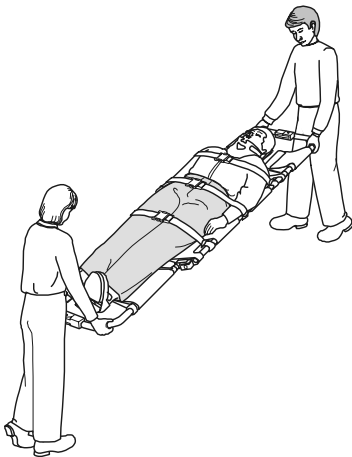


Figure 5 - Carrying the Stretcher

### Important

Do not attach lifting devices to the Model 65-Pin speed clip pins. Always lift and carry the stretcher by hand, using the handholds and main frame. Secure the stretcher in a transport basket for heavy rescue situations.

## 4.5 Applying the Stretcher in a "V"

Unfold the stretcher if it is folded for storage, and adjust the length (see *Adjusting Stretcher Length*, page 8).

- Unfasten the restraints (if stored on stretcher).
- Open only the foot-end coupling. To open, press inward on the coupling lock lever (see Figure 3, page 8).
- Pull the foot end halves of the stretcher apart to form a "V" shape.
- Position the stretcher with the patient's head at the base of the "V" (Figure 6).



Figure 6 - Applying Stretcher in "V" shape

- Use locally-approved EMS procedures to work the stretcher inward and under the patient. Work from head to foot until the coupling halves at the foot end meet.

To avoid pinching or pulling the patient's skin, hair, or clothing, use care while working the stretcher halves into place beneath the patient.

6. Push the coupling halves together until they lock into place.
7. Make sure the couplings are securely fastened. To test, try pulling the coupling halves away from each other without pressing on the lock levers. The couplings should remain securely fastened.
8. Buckle and tighten the patient restraints.
9. To lift and carry the stretcher with two operators, position yourselves at opposite ends of the stretcher and grasp the main frame (Figure 5, page 9). This maintains the stretcher balance.

For more than two operators, see *Using Additional Help*, this page.

**Important**

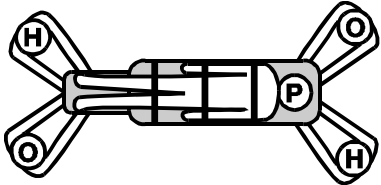
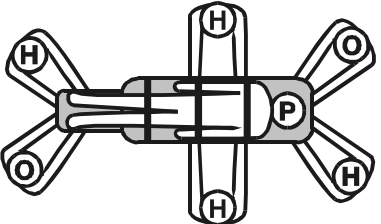
Do not attach lifting devices to the Model 65-Pin speed clip pins. Always lift and carry the stretcher by hand, using the handholds and main frame. Secure the stretcher in a transport basket for heavy rescue situations.

**! WARNING**

**Helpers can cause injury or be injured. Operate and maintain control of the stretcher and direct any helpers.**

**4.6 Using Additional Help**

1. At minimum, two operators are required to operate the stretcher. They may need help when working with heavy patients.
2. Operators should maintain control of the stretcher, operate moving parts, and direct any helpers.
3. The chart below shows the suggested placement for operators and helpers.

Using Additional Help	
Helpers	Lifting and Carrying
Two Operators + Two Helpers	
Two Operators + Four Helpers	

Key:

O = Operator H = Helper P = Patient



**Maximum Load Limit**

Inspect the stretcher if the load limit has been exceeded.

### 4.7 Storing the Stretcher

To fold the stretcher for storage:

1. Lift the lock-pin levers on both sides of the stretcher.
2. Fully extend the foot section by pulling it out until the hinges are completely visible.
3. Lift the foot section and fold it over onto the torso panel (Figure 7).

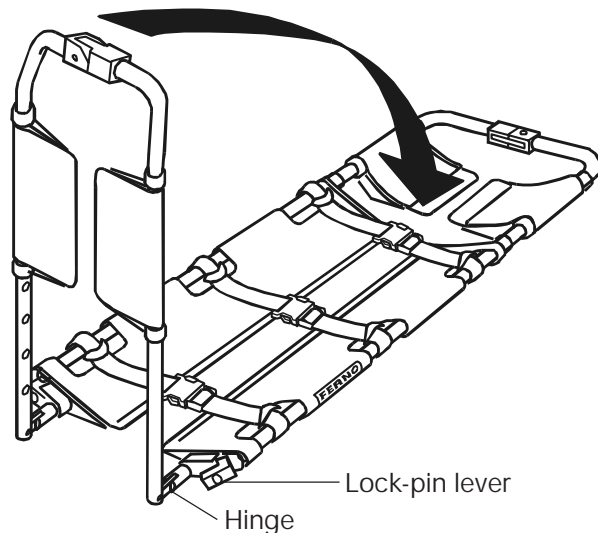


Figure 7 - Folding the Stretcher

## SECTION 5 - MAINTAINING THE STRETCHER

### 5.1 Maintenance Schedule

The stretcher requires regular maintenance. Set up and follow a maintenance schedule.

The following chart represents minimum maintenance:

	Each Use	As Needed	Each Month
<b>Disinfecting</b> (this page)	●		
<b>Cleaning/Waxing</b> (page 12)		●	
<b>Inspecting</b> (page 12)		●	●
<b>Lubricating</b> (page 13)		●	

When using maintenance products, follow the manufacturers' directions and read the manufacturers' material safety data sheets.

Contact Ferno Customer Service to order Ferno disinfectants and cleaners (see page 17).

**WARNING**

**Improper maintenance can cause injury. Maintain the stretcher only as described in this manual.**

### 5.2 Disinfecting the Stretcher

1. Wipe all surfaces with disinfectant after each use. Follow disinfectant manufacturer's instructions.
2. Ferno recommends inspecting the stretcher for obvious damage as you disinfect it.

### 5.3 Cleaning and Waxing the Stretcher

1. Clean with warm, soapy water and a cloth or soft brush, or wipe with a mild solvent.

#### Important

Steam and water under high pressure penetrate joints, flush away lubricant, and cause corrosion. Do **not** use high-pressure water or steam to clean the stretcher.

2. After cleaning, apply a coat of automotive wax. Follow wax manufacturer's instructions.

### 5.4 Disinfecting and Cleaning the Restraints

Disinfecting and cleaning procedures vary according to restraint model. Refer to the restraint Users' Manual for disinfecting and cleaning instructions.

#### Important

Restraints may be damaged by improper maintenance. Follow disinfecting and cleaning instructions in restraint Users' Manual.

### 5.5 Inspecting the Stretcher

Have your service technician check the following:

- Are all components present?
- Is the frame bent or broken?
- Do all moving parts (couplings, levers, hinges, and sliding frame) operate smoothly and properly?
- If the stretcher has speed clip pins, are all eight pins solidly in place and free of cracks or damage?
- Is restraint webbing in good condition with no cuts or frayed edges?
- Are restraint buckles free of visible damage?
- Do buckles open and close smoothly and properly?
- If restraint has speed clips, do the speed clips operate properly?
- If restraint has speed clips, are the speed clips free of visible damage?

If inspection indicates damage or excessive wear to the stretcher, take the stretcher out of service until repairs are made (see *Repair Parts and Service*, page 16).

If inspection indicates damage or excessive wear to restraint(s), take restraint(s) out of service and destroy to prevent accidental use.

For replacement restraints, contact Ferno Customer Service (page 17).

Use the maintenance record on page 19 to record inspection information.

### 5.6 Lubricating the Stretcher

Moving parts have been lubricated during assembly but may require additional lubricant with use. During inspections, check to see if lubrication is needed.

Choose one of the following lubrication methods. Apply lubricant(s) to all points shown in the lubrication diagram on this page.

#### METHOD A

(WHITE LITHIUM GREASE AND OIL)

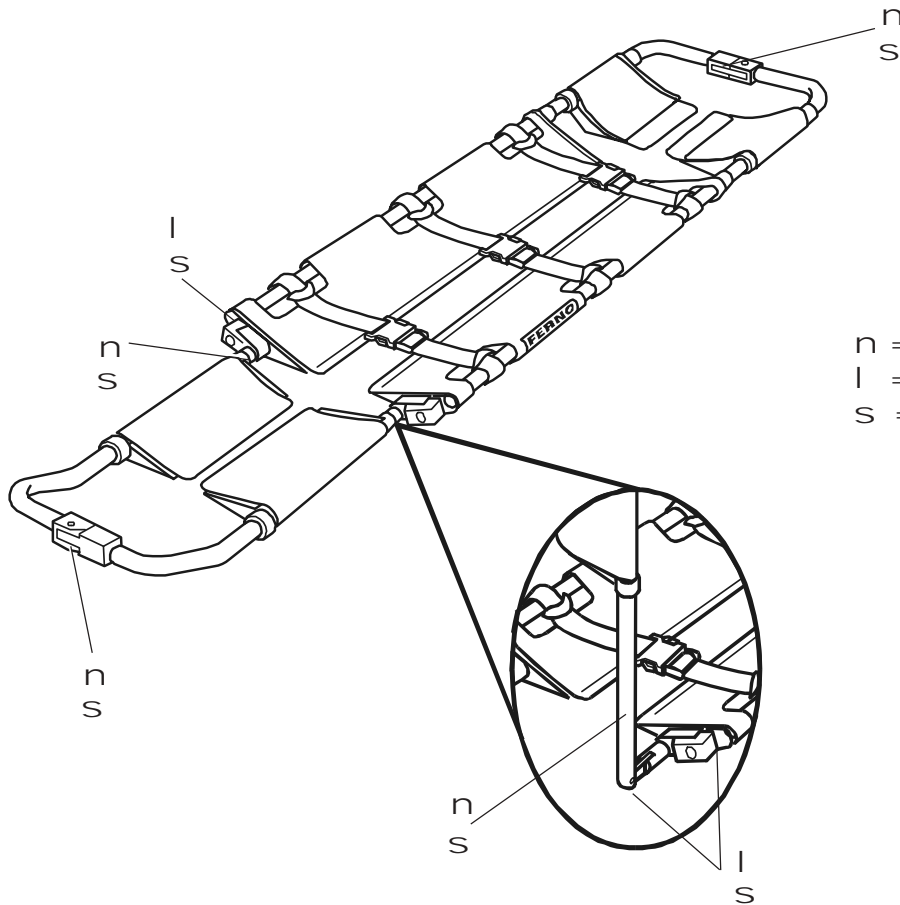
1. Apply a small amount of white lithium grease to sliding surfaces of foot-section frame and end couplings.
2. Wipe off excess lubricant.

3. Apply small amount of SAE 30-weight motor oil to rotating joints (lock-pin-lever hinges and foot-section hinges).
4. Wipe off excess lubricant.

#### METHOD B

(DRY-COATING TEFLON™ LUBRICANT)

1. Spray a very small amount of general-purpose, dry-coating Teflon™ lubricant on all lubrication points. Follow instructions on lubricant container.
2. Wipe off excess lubricant.



n = white lithium grease  
 l = SAE 30-weight oil  
 s = dry-coating Teflon™ lubricant

## SECTION 6 - STRETCHER SETUP

### 6.1 Attaching Restraints to the Model 65 Scoop Stretcher

The Model 65 Scoop Stretcher includes a set of three Model 430-P or a set of three Model 430 restraints.

#### Important

Model 430-P restraints are limited-use restraints. Always use in sets of two or more. Maximum load limit is 350 lbs. per set. Do not use as primary restraints on cots or in any situation requiring a higher load limit.

Model 430-P restraints are constructed with polypropylene webbing and a plastic buckle.

Model 430 restraints are constructed with nylon webbing and a metal buckle.

Follow the setup instructions that apply to the restraints shipped with your stretcher.

#### MODEL 430-P AND MODEL 430 ONE-PIECE RESTRAINTS

To attach a one-piece restraint:

1. Place the patient on the stretcher, using local protocols and the instructions in this manual.
2. As one operator lifts one end of the stretcher, the other operator places the one-piece restraint under the stretcher so the restraint can be wrapped around the stretcher and patient, then fastened.
3. Repeat steps 1 and 2 as needed to prepare additional restraints.
4. Confirm that all restraints are securely fastened.

#### MODEL 430-P AND MODEL 430 TWO-PIECE RESTRAINTS

To attach a two-piece restraint:

1. Unbuckle the restraint, separating it into two pieces.
2. Pass the looped end of one restraint piece upward through a handhold opening on stretcher frame.
3. Hold the loop open and thread the buckle of restraint through loop (Figure 8).

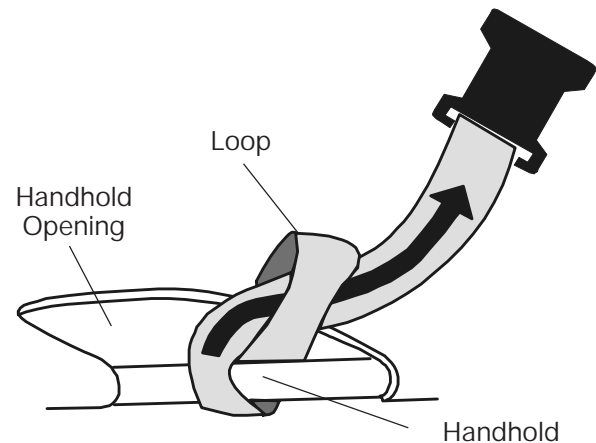


Figure 8 - Attaching Two-Piece Restraint

4. Pull the webbing through the loop until the loop is snug against stretcher frame.
5. Repeat steps 2-4 to attach the other half of the restraint to opposite handhold.
6. Attach the remaining two restraints following steps 1-5.
7. Confirm that all restraints are securely fastened.

## 6.2 Attaching Restraints to the Model 65-Pin Scoop Stretcher

The Model 65-Pin Scoop Stretcher is equipped with a set of three Model 773-P restraints. They are constructed with bronze speed clips, polypropylene webbing and plastic buckles.

### Important

Model 773-P restraints are limited-use restraints. Always use in sets of two or more. Maximum load limit is 350 lbs. per set. Do not use as primary restraints on cots or in any situation requiring a higher load limit.

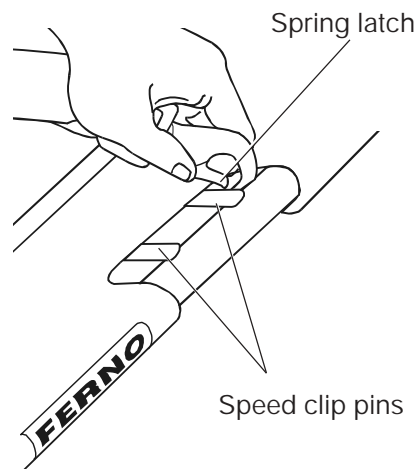


Figure 9 - Attaching Restraint with Speed Clips

To attach the speed clips:

1. Unbuckle the restraint.
2. Press the speed clip against the speed clip pin on the stretcher until the spring latch of the speed clip snaps into place over the pin (Figure 9).
3. Confirm that the speed clip is securely fastened to the speed clip pin.
4. Repeat steps 2 and 3 to fasten the other half of the restraint to the opposite handhold.
5. Attach the remaining two restraints following steps 1-4.

### Arrangement of Speed Clips

Speed clips may be attached to pins from the topside or from the underside of the stretcher.

Topside attachment of a speed clip is illustrated in Figure 10.

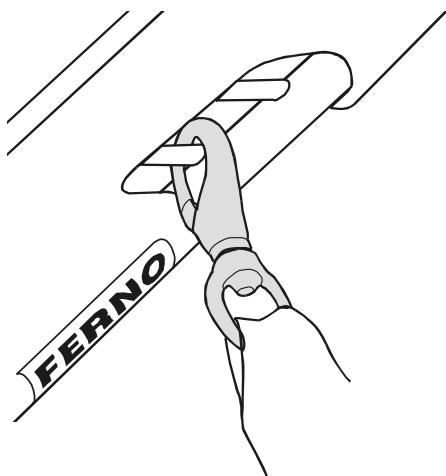


Figure 10 - Topside Attachment

If the patient's size or position does not permit attachment of the speed clips from the topside of the stretcher, attach them from the underside, as illustrated in Figure 11.

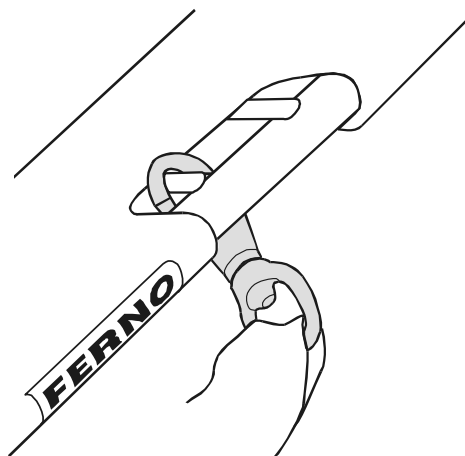


Figure 11 - Underside Attachment

## SECTION 7 - REPAIR PARTS AND SERVICE

To order parts, or for professional stretcher repair, contact EMSAR®.

- EMSAR is the only agent authorized by Ferno to manage, service, and repair Ferno products.
- EMSAR's factory-trained technicians use Ferno-approved parts and repair procedures.
- EMSAR has a franchise location serving you. Phone or fax for details, or visit the EMSAR website.



800.73EMSAR (Phone)  
 937.383.1051 (Fax)  
 www.EMSAR.com

**! WARNING**

**Improper parts and service can cause injury. Use only Ferno parts and Ferno-approved service on the stretcher.**

Part #	Description
090-0135 .....	Lock-Pin Assembly

**Note:** You will need to supply your Scoop serial number when ordering the lock-pin assembly (see Customer Service, page 17).

## SECTION 8 - ACCESSORIES AND RELATED PRODUCTS

Ferno offers a full line of accessories approved for use with the stretcher.

Ferno also has a full line of emergency products for the EMS professional.

Always follow the instructions packed with accessories. Keep accessory instructions with this manual.

Contact Ferno Customer Service (page 17) or your Ferno dealer for product information.

Model #	Accessory
561 .....	Scoop Storage Brackets
385-C .....	Scoop Carrying Case
445 .....	Head Immobilizer
453 .....	Cervi VII™ Adjustable Extrication Collar
455 .....	HeadHugger™ Disposable Head Immobilizer
430-P .....	1- or 2-Piece Restraint, Polypropylene Webbing, Plastic Buckle
773-P .....	2-Piece Restraint, Speed Clips, Polypropylene Webbing, Plastic Buckle
430 .....	1- or 2-Piece Restraint, Nylon Webbing, Metal Buckle
770 .....	Fastrap™ Restraint System

**! WARNING**

**Improper accessories can cause injury. Use only Ferno-approved accessories with the stretcher.**



## SECTION 9 - LIMITED WARRANTY

### Limited Warranty Summary

Ferno-Washington, Inc. (Ferno), warrants the products we manufacture to be free from defects in material and workmanship for one year except as follows:

- (A) External finishes (gelcoat, decals, paint, etc.) are warranted for 90 days.
- (B) Soft goods (webbing, vinyl, fabric, foam, etc.) are warranted for 90 days.
- (C) Repairs and services are warranted for 90 days or until the end of the time period(s) above, whichever comes last.

This limited warranty applies when you use and care for the product properly. If the product is not used and cared for properly, the warranty is void. The warranty period begins the day the product is shipped from Ferno or the day you receive it if you have proof of the delivery date. Shipping charges are not covered by the limited warranty. We are not liable for shipping damages or damages sustained through using the product.

### Limited Warranty Obligation

If a product or part is proven to be defective, Ferno will repair or replace it. At our option, we will refund the product's purchase price. The purchaser accepts these terms in lieu of all damages.

***This is a summary of the limited warranty. The actual terms and conditions of the limited warranty, and the limitations of liability and disclaimers, are available upon request by calling 800.733.3766 or 937.382.1451.***

## SECTION 10 - CUSTOMER SERVICE

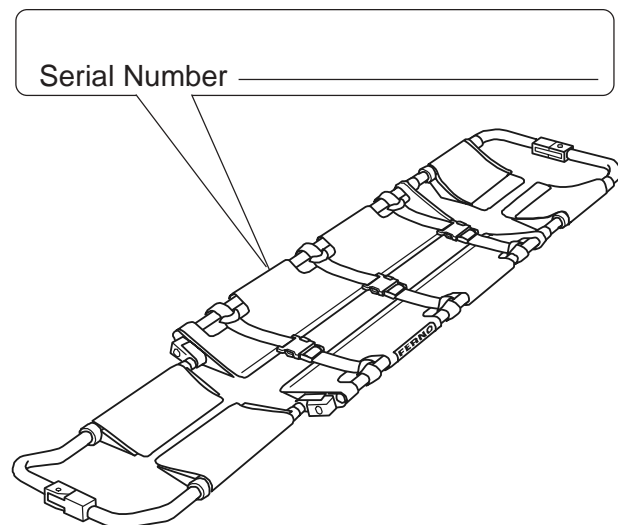
Customer service and product support are important aspects of each Ferno product.

For assistance with the stretcher, contact Ferno Customer Service or your Ferno distributor.

Please have the serial number of your Ferno product available when calling Customer Service, and include it in all written communications.

Ferno-Washington, Inc.  
70 Weil Way  
Wilmington, OH 45177-9371  
U.S.A.

Telephone: 800.733.3766  
Fax: 937.382.1191  
www.ferno.com



TRAINING RECORD		
Date	Name	Training Method

### MAINTENANCE RECORD

Date	Maintenance Performed	By